



# Time management

Synchronising • Distributing • Displaying time

## Style 7E

# Bodet

www.bodet-time.com

MADE IN FRANCE

### PRESENTATION

- LED SMD digital indoor clock with built-in temperature sensor.
- Hour, minute and second display (HMS).
- Revolving second display on ellipse design.
- Fixed time display or alternating with other information.
- Wall mounting or on bracket arm.
- Available LED colours: red, green, yellow, blue and white.

### COMPLIANCE

- Directives: LVD 2014/35/EU, EMC 2014/30/EU, RED 2014/53/EU, IEEE 802.11 b/g/n (NTP/Wi-Fi model).

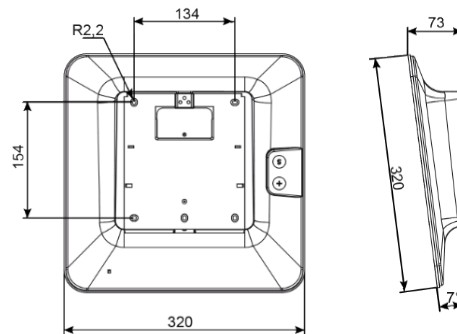
### TECHNICAL FEATURES

#### General features

- Reading distance..... 40 m.
- Reading angle..... 160°
- Digits.....
  - Height: 7 cm.
  - Design: 7 segments with 4 LEDs each.
- HM separation..... Colon made of LEDs.
- Ellipse (seconds)..... 60 LEDs.
- Display.....
  - 12H or 24H mode.
  - With or without 0 for time, day, month (NTP/ETH model).
  - AM/PM indicator.
- Alternating display... (the nature of information displayed can vary depending on the model)
  - Date : day/month, month/day, Month/year, year/month.
  - Number: day of the year, week of the year.
  - Temperature: °C.
- Brightness..... 4 levels: 25%, 50%, 75% or 100%.
- Eco mode..... Programmable energy saving or Predefined over a time period. Brightness level can be adjusted in eco mode (NTP/ETH model).
- Time change..... Automatic summer/winter time changeover and perpetual calendar.
- Time base backup.....
  - Independent model: 15 days in case of power failure.
  - Impulse model: in case of power failure, data saving and impulse reception without battery.
  - NTP model: behaviour can be programmed in case of loss of synchronisation after more than 48h.
  - Other models: at each start up, the clock waits for a synchronisation signal.
- Time accuracy..... 0.1 sec /day at 25°C.
- Operation..... Silent.
- Configuration..... 2 touch-screen buttons.
- NTP/ETH and NTP/Wi-Fi models.....
  - Unicast, multicast and DHCP synchronisation.
  - Advanced and intuitive configuration via the embedded the web server.

#### Mechanical features

- Construction..... Casing: Black PC/ABS. Other colours upon request. Glass: Anti-glare PMMA glass (matte finish)
- Protection index..... IP40, IK07
- Operating temperature... -5°C to +55°C.
- Weight..... 1.135 kg.
- Dimensions..... See hereinafter.



Dimensions in mm

#### Electrical features

- Power supply.....
  - Independent, impulse, AFNOR, DHF radio and NTP/Wi-Fi models: 100-240V~.
  - ALS+ DCF radio model: 230V~.
  - NTP/ETH model: PoE (Power over Ethernet) – Class 0.
- Max consumption .....
  - 100-240V~, 250-150 mA.
  - 230V~, 35 mA.
  - NTP/ETH model:
    - red, green, yellow: 3.4W.
    - blue, white: 1.7W.
- Electrical protection..... NTP/ETH model: Class 3. Other models: Class 2.





# Time management

Synchronising • Distributing • Displaying time

## Style 7E



www.bodet-time.com

MADE IN FRANCE

### REFERENCES - STYLE 7E

946 51x.....	Independent model.
946 52x.....	Impulse model.
946 53x.....	ALS+ DCF model.
946 54x.....	DHF model.
946 55x.....	AFNOR model.
946 57x.....	NTP/ETH model.
946 58x.....	NTP/Wi-Fi model.

Replace the "x" in the reference number to specify the LED colour:



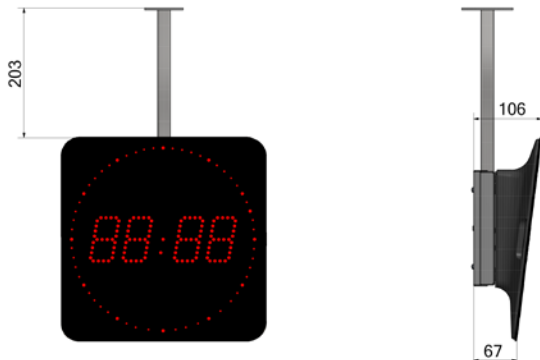
### ACCESSORIES - STYLE 7E

946 003.....	Double-sided bracket arm
946 004.....	Single-sided bracket arm.
946 080.....	External Wi-Fi antenna.

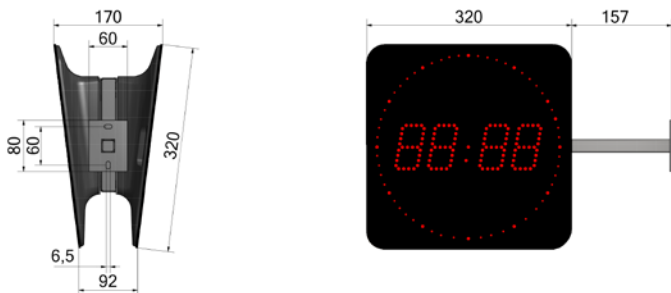
Bracket arm mounting (ceiling or mast)

- Construction..... Black steel.

Bracket arm (single-sided mounting)



Bracket arm (double-sided mounting)



Dimensions in mm