



# Time management

Synchronising • Distributing • Displaying time

HMT 10 cm



www.bodet-time.com

MADE IN FRANCE

## DESCRIPTION

- Outdoor clocks with high brightness LED.
- Height of digits 10 cm, optimal viewing distance: 40 metres.
- Angle of vision: 160°.
- LED colour available: red, white or yellow.
- Display in hours and minutes.
- Setting by control pad 2 keys inside the clock or by wireless remote control (LoRa-868.3MHz: cover in open field 1 km).
- Optional synchronisation by impulse (minute or ½ minute), DCF or GPS antenna (absolute time accuracy), AFNOR, DHF, NTP or PC.
- Single or double-sided display.



Wireless remote control

## COMPLIANCE

- Directives : LVD 2014/35/EU, EMC 2014/30/EU, RED 2014/53/EU, RoHS 2015/863/EU.

## TECHNICAL FEATURES

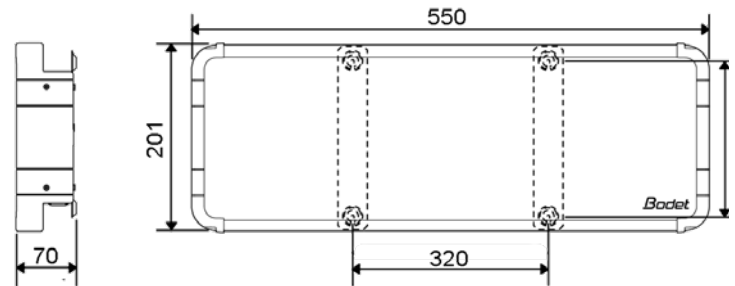
### General features

- Setting of luminosity..... Automatic (sun, cloud or night).
- Time display..... 12 or 24 h mode.
- Setting of alternation duration..... 2 to 6 seconds.
- Display of time..... Date and temperature, counting / countdown, rate of chlorine, rate of humidity. Fix or alternate (manual input for the rate of chlorine and humidity). In double-sided version, alternate display via 2 clocks in master mode.
- Time changeover..... Automatic summer/winter.
- Temperature display..... In Celsius (°C) or Fahrenheit (°F) from -99° to +99.9°.
- Display..... °C or °F in the menu. Display resolution: 0.1°C. Accuracy: ±0.5°C from -10 to +85°C. Offset adjustment, possible from -9.9° to +9.9°. Display test menu.
- 869 MHZ HF temperature option..... 50 meters communication distance (through a wall). Transmission of the data to the clock every 15 seconds.

### Mechanical features

- Construction..... Casing : Black steel. Window : Antiglare protection.
- Operating temperature.... IP54, IK07.
- Operating temperature.... -20 to +50°C.
- Humidity..... 93% at 40°C.
- Electronic cards..... Tropicalized.
- Mounting..... Wall mounted or optional bracket.
- Weight..... Single-sided: 3,7 Kg. Double-sided: 9 Kg.
- Dimensions..... See opposite.

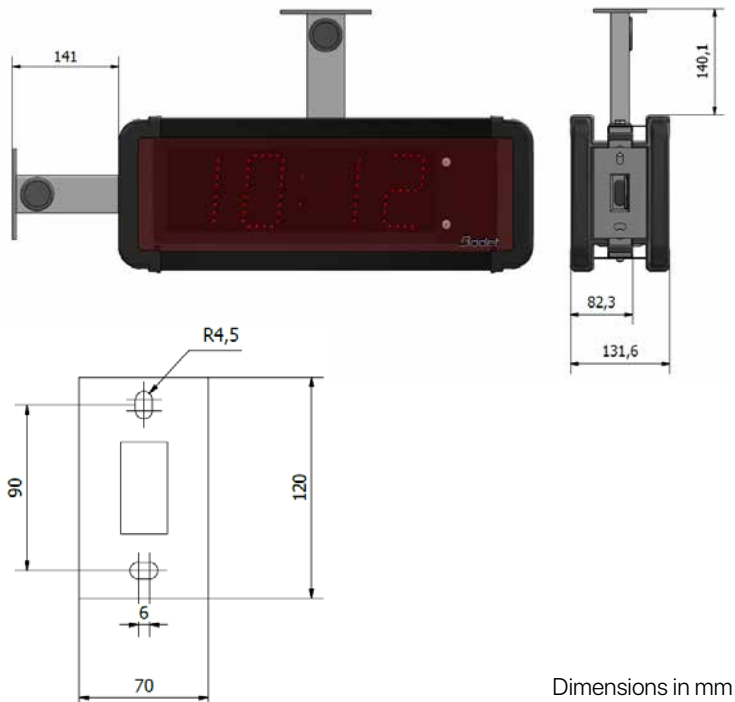
### Wall mount (single-sided)



### Mounting on hanging bracket (double-sided)

The hanging bracket makes it possible to hang the clock from the ceiling or from the wall.

- Construction..... Steel.
- Color..... Black.



Dimensions in mm



# Time management

Synchronising • Distributing • Displaying time

**HMT 10 cm**



www.bodet-time.com

MADE IN FRANCE

## Electrical features

- Power supply..... 100/240VAC 50/60Hz.
- Rated current..... 0.2A to 100VAC ; 0.1A to 240VAC.

## SYNCHRONISATION OPTIONS

- 939 051..... AFNOR/Minute impulse synchronisation card
- 939 052 ..... DHF receiver (with antenna) for HF temperature and DHF time
- 939 053 ..... PC /ASCII synchronisation card for data display
- 939 056..... AFNOR synchronisation card or 1/2 MN SERIE
- 939 057..... NTP synchronisation card

## REFERENCE(S)

- 939 313\*..... HMT LED 10 cm
- 939 219\*..... HMT LED 10 cm slave display
- 935 011..... Temperature probe (with 5m cable)
- 939 030..... Double-sided bracket
- 939 037..... Carter for use double-sided support in single sided
- 939 041..... Wireless Temperature Probe
- 939 044..... Style 12 / 12S Adapter support - HMT10
- 939 045..... Wired Air Temperature / Humidity probe (5m cable)
- 939 047..... Wireless remote control
- 939 050..... GPS antenna
- 915 296..... Synchronisation cable kit (to synchronise 2 HMT that are not attached)

\*Add the letter corresponding to the colour: R = red, J = Yellow, W = white.