



Time management

Synchronising • Distributing • Displaying time

Style 5S - Standard



MADE IN FRANCE

PRESENTATION

- LED SMD digital indoor clock with built-in temperature sensor.
- Hour, minute and second display (HMS).
- Fixed time display, alternating with other information or timer display (with optional timer controller).
- Wall or bracket arm mounting (standard version).
- Available LED colours: red, green, yellow, blue and white.

COMPLIANCE

- Directives: LVD 2014/35/EU, EMC 2014/30/EU, RED 2014/53/EU, IEEE 802.11 b/g/n (NTP/Wi-Fi model).

TECHNICAL FEATURES

General features

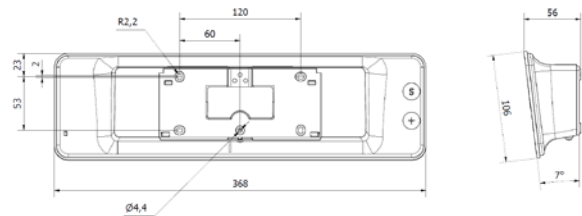
- Reading distance..... 30 m.
- Reading angle..... 160°
- Digits.....
 - Height: 5 cm.
 - Design: 7 segments with 3 LEDs each.
- HM separation..... Colon made of LEDs.
- Display.....
 - 12H or 24H mode.
 - With or without 0 for hour, day and month (NTP/ETH model)
 - AM/PM indicator.
 - Timekeeping: Hour/Min/Sec from 0 to 23: 59: 59. Counting/Countdown.
- Alternating display.....
 - Date : day/month, month/day, month/year, year/month, day/month, year/month/day.
 - Number: day of the year, week of the year.
 - Temperature: °C.
- Brightness..... 4 levels: 25%, 50%, 75% or 100%.
- Eco mode..... Programmable energy saving or Predefined over a time period. Brightness level can be adjusted in eco mode (NTP/ETH model).
- Time change..... Automatic summer/winter time changeover and perpetual calendar.
- Time base backup.....
 - Independent model: 15 days in case of power failure.
 - Impulse model: in case of power failure, data saving and impulse reception without battery.
 - NTP model: behaviour can be programmed in case of loss of synchronisation after more than 48h.
 - Other models: at each start up, the clock waits for a synchronisation signal.
- Time accuracy..... 0.1 sec /day at 25°C.
- Operation..... Silent.
- Configuration..... 2 touch-screen buttons.
- NTP/ETH and NTP/Wi-Fi models.....
 - Unicast, multicast and DHCP synchronisation.
 - Advanced and intuitive configuration from the embedded web server.



Standard version

Mechanical features

- Construction..... Casing: Black PC/ABS. Other colours upon request. Glass: Anti-glare PMMA glass (matte finish)
- Protection index..... IP40, IK07
- Operating temperature.... -5 to +55°C.
- Weight..... 0.49 kg.
- Dimensions..... See hereinafter.



Dimensions in mm

Electrical features

- Power supply.....
 - Independent, impulse, AFNOR, DHF radio and NTP/Wi-Fi models: 100-240V~.
 - ALS+ DCF radio model: 230V~.
 - NTP/ETH model: PoE (Power over Ethernet) – Class 0.
- Max consumption
 - 100-240V~, 250-150 mA.
 - 230V~, 35 mA.
 - NTP/ETH model:
 - red, green, yellow: 4W.
 - blue, white: 1.7W.
- Electrical protection..... NTP/ETH model: Class 3. Other models: Class 2.



Time management

Synchronising • Distributing • Displaying time

Style 5S - Standard



REFERENCES - STYLE 5S STANDARD

946 21x.....	Independent model.
946 22x.....	Impulse model.
946 23x.....	ALS+ DCF model.
946 24x.....	DHF model.
946 25x.....	AFNOR model.
946 27x.....	NTP/ETH model.
946 28x.....	NTP/Wi-Fi model.

Replace the "x" in the reference number to specify the LED colour:



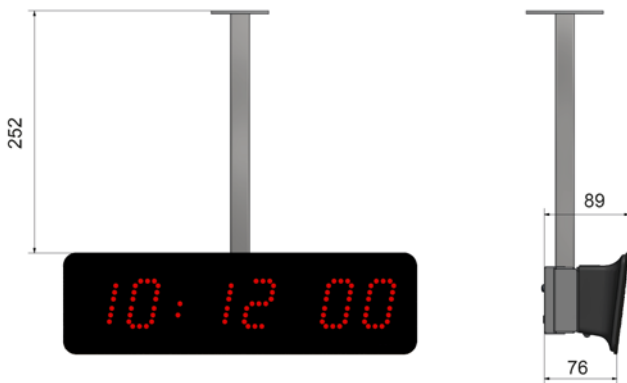
ACCESSORIES - STYLE 5S STANDARD

946 001.....	Double-sided bracket arm
946 002.....	Single-sided bracket arm.
946 051.....	Style timer controller.
946 080.....	External Wi-Fi antenna.

Bracket arm mounting (ceiling or mast)

- Construction..... Black steel.

Bracket arm (single sided mounting)



Bracket arm (double-sided mounting)



Dimensions in mm



Time management

Synchronising • Distributing • Displaying time

Style 5S - Recess mounted

PRESENTATION

- LED SMD indoor digital clock.
- Hour, minute and second display (HMS).
- Fixed time display, alternating with other information or timer display (with optional timer controller).
- Operation and electronics similar to a standard Style 5S. The mechanics differ whether for recess mounting in a wall or a partition.
- Available LED colours: red.

COMPLIANCE

- Directives: LVD 2014/35/EU, EMC 2014/30/EU, RED 2014/53/EU.

TECHNICAL FEATURES

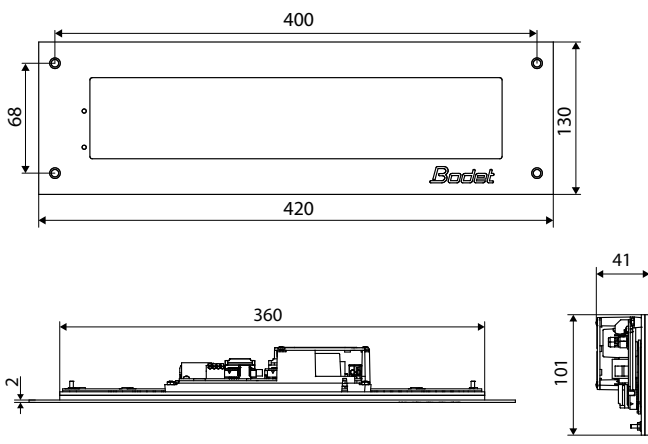
General features

- Similar as Style 5S standard.

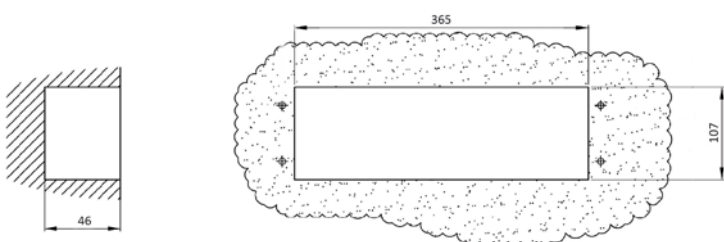
Mechanical features

- Construction..... Casing: Black steel.
Glass: Anti-glare PMMA glass (matte finish)
- Protection index..... IP40, IK07
- Operating temperature.... 0°C to +50°C.
- Weight..... 0.860 kg.
NTP model: 0.835 kg.
- Dimensions..... See hereinafter.

Clock



Recess mounting



Dimensions in mm



Recess-mounted version

Electrical features

- Similar as Style 5S standard.

REFERENCES - STYLE 5S RECESS MOUNTED

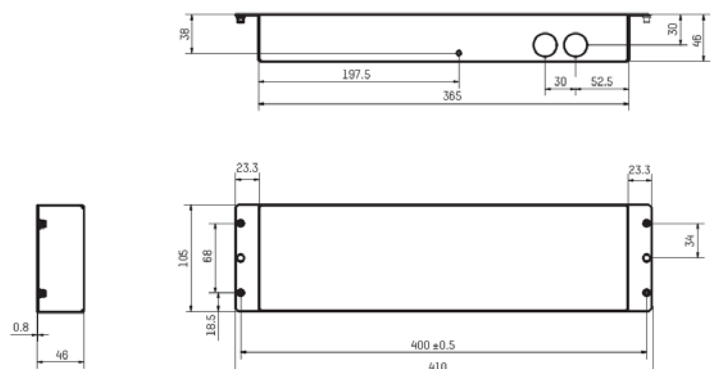
- 946 211 F..... Independent model.
- 946 221 F..... Impulse model.
- 946 241 F..... DHF* model.
- 946 251 F..... AFNOR model.
- 946 271 F..... NTP/ETH model

*Recess mounting possible except on metallic partition or equivalent.

ACCESSORIES - STYLE 5S RECESS MOUNTED

- 946 012..... Flush mounting back cover.

Flush mounting back cover



Dimensions in mm