



Time management

Synchronising • Distributing • Displaying time

Style 7D - Standard



www.bodet-time.com

MADE IN FRANCE

PRESENTATION

- LED SMD digital indoor clock with built-in temperature sensor.
- Time display (Hour, Minute, Second depending on settings) and date display (day of the week, day number, month) and other information via alternating display.
- Display of additional information on central display: day number or week of the year, seconds, temperature (°C).
- Multilingual alternating display.
- Wall or bracket arm mounting (standard version).
- Available LED colours: red, green, yellow, blue and white.



Standard version

COMPLIANCE

- Directives: LVD 2014/35/EU, EMC 2014/30/EU, RED 2014/53/EU, IEEE 802.11 b/g/n (NTP/Wi-Fi model).

TECHNICAL FEATURES

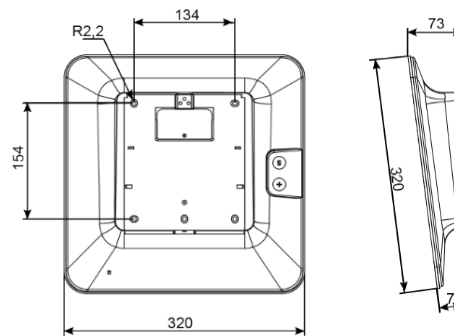
General features

- Reading distance..... 40 m.
- Reading angle..... 160°
- Digits..... - Height: 7 cm (HM), 5 cm (letters).
- H: Hour - Design:
M: Minute HM: 7 segments with 4 LEDs each.
Letters: 5x7 LEDs
- HM separation..... Colon made of LEDs.
- Display..... - 12H or 24H mode.
- With or without 0 for time, day, month (NTP/ETH model).
- AM/PM indicator.
- Alternating display..... Central line:
- Number: day of the year, week of the year.
- Temperature: °C.
Day of the week and month:
2 programmable languages.
- Brightness..... 4 levels:
25%, 50%, 75% or 100%.
- Eco mode..... Programmable energy saving or Predefined over a time period.
Brightness level can be adjusted in eco mode (NTP/ETH model).
- Time change..... Automatic summer/winter time changeover and perpetual calendar.
- Time base backup..... - Independent model: 15 days in case of power failure.
- Impulse model: in case of power failure, data saving and impulse reception without battery.
- NTP model: behaviour can be programmed in case of loss of synchronisation after more than 48h.
- Other models: at each start up, the clock waits for a synchronisation signal.
- Time accuracy..... 0.1 sec /day at 25°C.
- Operation..... Silent.
- Configuration..... 2 touch-screen buttons.

- NTP/ETH and NTP/Wi-Fi models..... - Unicast, multicast and DHCP synchronisation.
- Advanced and intuitive configuration from the embedded web server.

Mechanical features

- Construction..... Casing: Black PC/ABS.
Other colours upon request.
Glass: Anti-glare PMMA glass (matte finish)
- Protection index..... IP40, IK07
- Operating temperature.... -5°C to +55°C.
- Weight..... 1.135 kg.
- Dimensions..... See hereinafter.



Dimensions in mm

Electrical features

- Power supply..... - Independent, impulse, AFNOR, DHF radio and NTP/Wi-Fi models: 100-240V~.
- ALS+ DCF radio model: 230V~.
- NTP/ETH model: PoE (Power over Ethernet) – Class 0.
- Max consumption 100-240 V~, 250-150 mA.
230V~, 35 mA.
NTP/ETH model:
- red, green, yellow: 6.5W.
- blue, white: 2.2W.
- Electrical protection..... NTP/ETH model: Class 3.
Other models: Class 2.



Time management

Synchronising • Distributing • Displaying time

Style 7D - Standard



www.bodet-time.com

MADE IN FRANCE

REFERENCES - STYLE 7D STANDARD

946 61x..... Independent model.

946 62x..... Impulse model.

946 63x..... ALS+ DCF model.

946 64x..... DHF model.

946 65x..... AFNOR model.

946 67x..... NTP/ETH model

946 68x..... NTP/Wi-Fi model.

Replace the "x" in the reference number to specify the LED colour:



1: red



2: green



3: yellow



4: blue



5: white

ACCESSORIES - STYLE 7D STANDARD

946 003..... Double-sided bracket arm

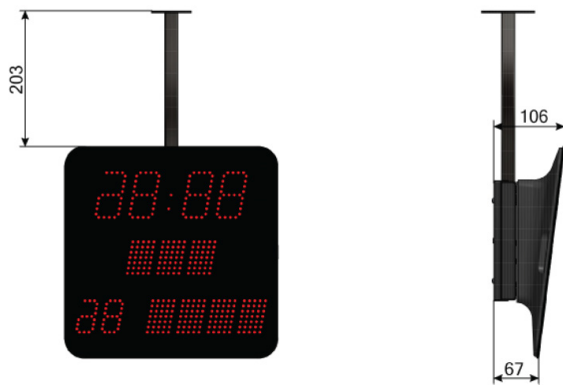
946 004..... Single-sided bracket arm.

946 080..... External Wi-Fi antenna.

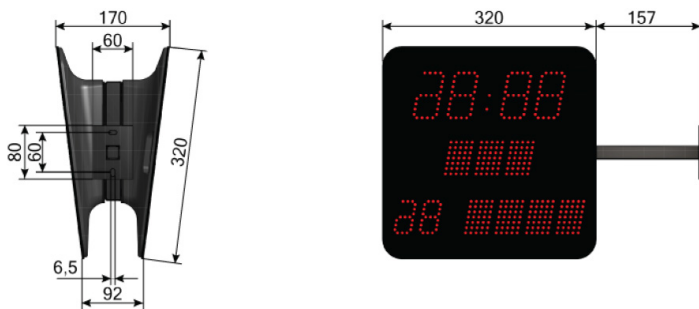
Bracket arm mounting (ceiling or mast)

• Construction..... Black steel.

Bracket arm (single-sided mounting)



Bracket arm (double-sided mounting)



Dimensions in mm



Time management

Synchronising • Distributing • Displaying time

Style 7D - Recess mounted



www.bodet-time.com

MADE IN FRANCE

PRESENTATION

- LED SMD indoor digital clock.
- Wall mounting (recess-mounted version)
- Operation and electronics similar to a standard Style 7D. The mechanics differ whether for recess mounting in a wall or a partition.
- Available LED colours: red.

COMPLIANCE

- Directives: LVD 2014/35/EU, EMC 2014/30/EU, RED 2014/53/EU.

TECHNICAL FEATURES

General features

- Similar to Style 7D standard.

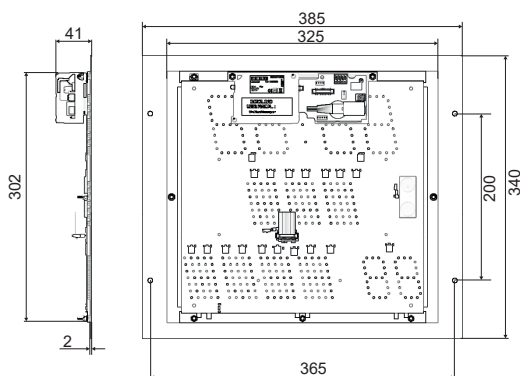
Mechanical features

- Construction..... Casing: Black steel.
Glass: Anti-glare PMMA glass (matte finish)
- Protection index..... IP40, IK07
- Operating temperature.... -5°C to +55°C.
- Weight..... 1.570 kg.
NTP model: 1.530 kg.
- Dimensions..... See hereinafter.

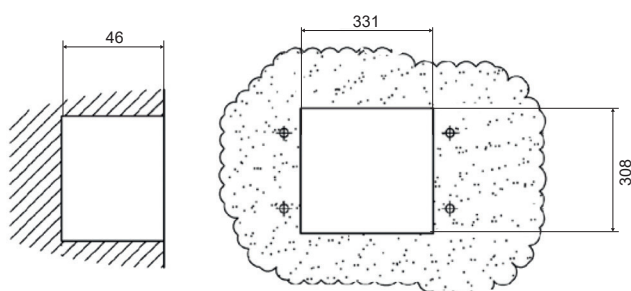
Electrical features

- Similar to Style 7D standard.

Clock



Recess mounting



Dimensions in mm



Recess-mounted version

REFERENCES - STYLE 7D RECESS MOUNTED

946 611 F Independent model.

946 421 F..... Impulse model.

946 641 F..... DHF* model.

946 651 F..... AFNOR model.

946 671 F..... NTP/ETH model

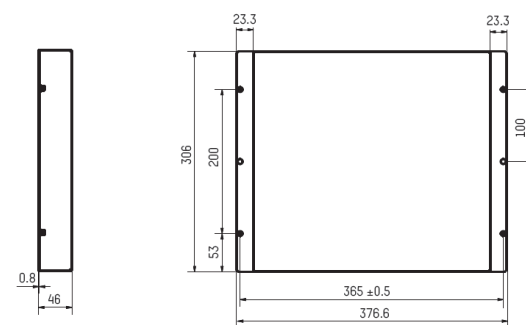
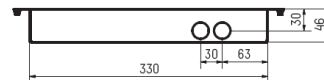
*Recess mounting possible except on metallic partition or equivalent.

ACCESSORIES - STYLE 7D RECESS MOUNTED

946 016..... Flush mounting back cover.

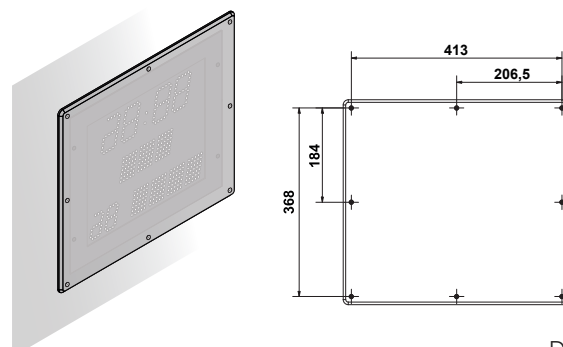
946 031..... IK10 protective glass.

Flush mounting back cover



IK10 protective glass (optional)

- Construction..... Black-painted metal frame (colour similar to the clock)
Transparent polycarbonate glass.



Dimensions in mm



Time management

Synchronising • Distributing • Displaying time

Style 7D - Waterproof



www.bodet-time.com

MADE IN FRANCE

PRESENTATION

- LED SMD indoor digital clock.
- Operation and electronics similar to a standard Style 7D.
The mechanics differ to ensure IP65 watertightness.
- Available LED colours: red.

COMPLIANCE

- Directives: LVD 2014/35/EU, EMC 2014/30/EU, RED 2014/53/EU.

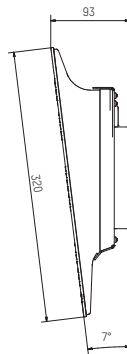
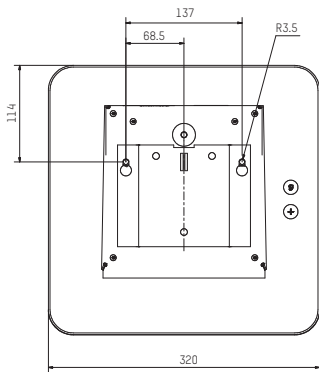
TECHNICAL FEATURES

General features

- Similar to Style 7D standard.

Mechanical features

- Similar to Style 7D standard.
- Construction..... Waterproof grommets and silicone seals installed between the bracket and the clock's casing.
- Protection index..... IP65, IK07
- Dimensions..... See hereinafter.



Dimensions in mm

Electrical features

- Similar to Style 7D standard.

REFERENCES - STYLE 7D STANDARD

946 611 A.....	Independent model.
946 621 A.....	Impulse model.
946 641 A.....	DHF model.
946 651 A.....	AFNOR model.
946 671 A.....	NTP/ETH model.



Waterproof version